



# MS NANO+

Screener output	10 - 20 tons/hour
Max bucket width	1700 mm
Screening area	1,5 m <sup>2</sup>
Power input	230 V / 0,4 kW nebo 400 V / 0,4 kW
Weight	350 kg
Width (A)	1880 mm
Length (B)	1257 mm
Height (C)	1952 mm

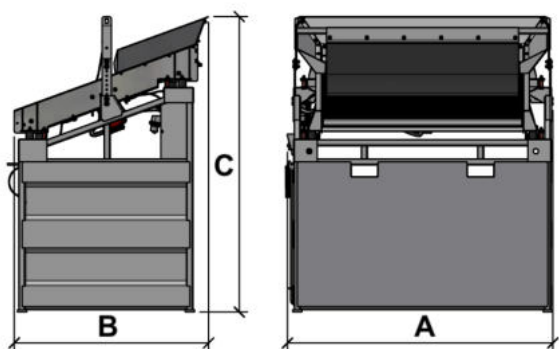
Screener suitable for small loaders with bucket width up to 170 cm / volume up to 0,4 m<sup>3</sup>, and miniexcavators of total weight 2 to 3,5 tons. It's easy to equip the screener with conveyor belts and extend it's power output. Thanks to a lower weight and compact dimensions it is possible to use this screener also in a small spaces. The screener is easy to be transported on a trailer behind a personal car.

**Suitable with miniexcavators:** KUBOTA KX - 019/027/030/037 U - 20/27/36 , CAT 302/302.7/303/303.5, JCB 19C/8025/8026/35Z/, BOBCAT E20z/E26/E27/E27z/E34/E35z, KOMATSU PC 20/22/24/26/30/35 , WACKER NEUSON ET20/ET24/ET35/EZ26/EZ36, YANMAR ViO23/ViO27/ViO33/SV22/SV26, VOLVO EC20/ECR25/EC27/35

**Suitable with loaders:** AVANT 500/600/700 , MULTIONE 4/5/6/7 SERIES, WACKER NEUSON WL 25/28, BOBCAT S 100/450/T450/L28, MECALAC MCL 4/6/8, JCB 403, KUBOTA RT 160/220/260, SHERPA 300, CAT 226D3/232D3, KOMATSU SK 714-5, GIANT 2700, WEIDEMANN 1390, KRAMER 5040/5050, WEYCOR AR 320

**Optional Attachments:**

- Conveyor belts in lengths of 3,4,5 and 6 meters
- Other types of the sieves



Producer reserves all rights to change technical specification of the screeners without prior notice. Please, contact us at all times for exact technical details, such as transport dims and weights.